

AHD 2M Outdoor Super Starlight IR Camera



SACW-3924D

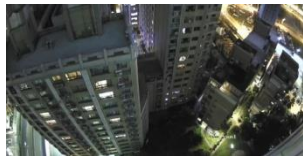


- FULL HD 1920 X1080p 25/30fps(AHD1080P)
- The Sony327 Starvis sensor supports high-sensitivity video, optimizing the entire image even in environments with complex light sources
- Super Starlight provides vivid and beautiful color in a low lux environment
- Dual video output, AHD/CVBS output simultaneously
- IP66 outdoor weatherproof, can be installed under the eaves
- Available in DC Auto IRIS VF Lens f=2.8-12mm or DC Auto IRIS motorized VF Lens f=2.8-12mm
- UTC supported

◆ Function



General type



Super Starlight



Dual output



OSD board output

◆The Super Starlight camera provides color image when the environment is dark with dim light; other IR camera turns to B/W image in the same environment.

◆Green cable (1080P), Yellow cable (CVBS) dual outputs

◆ Other than main video cable outputs, video output is also available from the OSD board which is useful for testing during installation



BLC

◆BLC
The ability to show a person or subject in front of strong light



HSBLC

◆HSBLC
This function masks the light source in a specific area to make the image clearer



WDR OFF



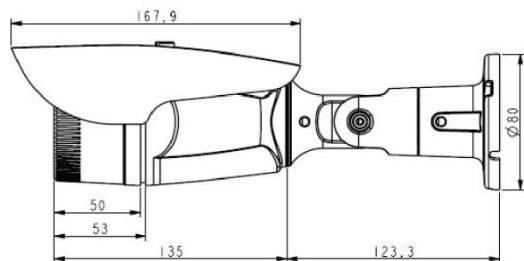
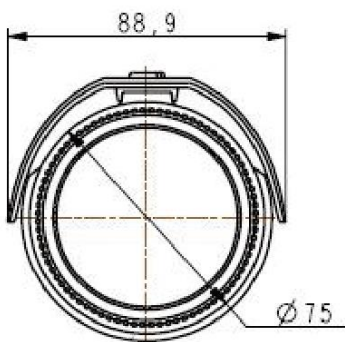
WDR ON

◆WDR
The Sony327 Starvis sensor has a specialized WDR function to improve visibility by adjusting the brightness of dark areas caused by backlighting

◆ Spec

| Model. | SACW-3924D/NDAI-24W | SACW-3924D/NDVI-24W |
|---------------|--|---|
| Image sensor | 1/2.8" Sony 327+Eyenix 771 | |
| Pixels | 1920(H) x 1080(V) | |
| Format | HD Video/CVBS dual output | |
| Resolution | AHD (2M) 、 CVBS(960H) | |
| Shutter speed | 1/60 – 1/100,000 sec | |
| Lux | Color:0.001Lux@F1.2/0Lux(IR on) | |
| S/N | 52dB , AGC off | |
| Lens | Auto IRIS DC motorized lens f=2.8-12mm | Auto IRIS DC vari-focal lens f=2.8-12mm |
| ICR | Yes | |
| D/N | AUTO / Color / B/W / EXT(ICR) | |
| White balance | ATW/Indoor/Outdoor/Manual/ AWB/AWC | |
| Sens-up | Auto (x2~x30)/off | |
| Gain control | AGC: Level(Level0 OFF) | |
| NR | 2DNR Off/Low/Medium/High 3DNR Off/Low/Medium/High | |
| BACKLIGHT | HLC /BLC / DWDR | |
| D-WDR | On / Auto / Off | |
| Privacy mask | Off / On | |
| Motion | Off / On | |
| UTC | Yes | |
| Language | Selectable | |
| IR LED | 24 IR LED | |
| IR distance | Up to 20 M | |
| Power | DC12V ±10% | |
| Consumption | 120mA(IR ON MAX580mA) | |
| Temperature | -10° C ~ +50° C | |
| Dimension | 89 (W) X 85 (H) X 259(D) mm | |
| Weight | Approx. 900g | |

◆ Dimension



※ The above specifications are subject to change without prior notice